

Lead Free Gauges for Potable Drinking Water Applications



Features:

- Meets the lead free requirements of the U.S. Safe Drinking Water Act (SDWA)
- Less than .25% lead (Pb) in wetted surfaces
- Less than .20% lead (Pb) in solder
- Available in 2" and 2½" sizes in both ¼ NPT lower and back connection
- Contractor gauge available, 4½" size, ¼ NPT lower only
- Inventory immediately available

Weksler® UA20-X82, UA25-X82 and EA14-X82 pressure gauges offer an economical, dependable product for drinking water applications. Each model complies with the Safe Drinking Water Act (SDWA) enacted January, 2014. All gauges are identified with "Lead Free" on the dial and no lead symbol on the pressure connection wrench flat.

PRODUCT SPECIFICATIONS

Model Number:	UA20-X82, UA25-X82
Accuracy:	ASME B40.100 Grade B, ± 3-2-3% span
Dial Size:	2", 2½"
Case Material:	Black painted steel
Ring:	Black painted steel
Bourdon Tube:	Lead free bronze
Socket:	Lead free brass
Conn. Size:	¼ NPT
Conn. Location:	Lower or back, lead free solder
Ranges:	Vacuum, 15 psi to 300 psi
Pointer:	Black, aluminium
Dial:	Aluminum, white background, blue inner scale (Bar) black outer scale (psi) kPa x100
Window:	Plastic
<hr/>	
Model Number:	EA14-X82
Accuracy:	ASME B40.100 Grade A, ± 2-1-2% span
Dial Size:	4½"
Case Material:	Stainless steel
Ring:	Stainless steel
Bourdon Tube:	Lead free bronze
Socket:	Lead free brass
Conn. Size:	¼ NPT
Conn. Location:	Lower, lead free solder
Ranges:	Vacuum, 30 psi to 300 psi
Pointer:	Black, aluminium, zero adjusting screw on dial
Dial:	Aluminum, white background, blue inner scale (Bar) black outer scale (psi) kPa x100
Window:	Plastic

Lead Free Gauges for Potable Drinking Water Applications

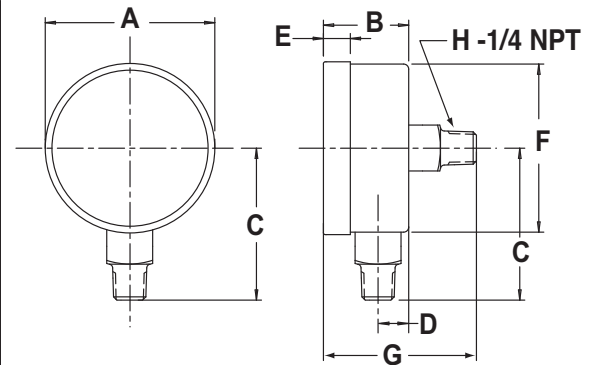
ORDERING CODE FOR UA20-X82, UA25-X82

Lead Free Gauges (X82) for Potable Water Applications

Range	2" Dry, Black Steel Case		2 1/2" Dry, Black Steel Case	
	1/4 NPT Bottom Connect	1/4 NPT Back Connect	1/4 NPT Bottom Connect	1/4 NPT Back Connect
15psi/bar	UA20N4L-X82	UA20N4C-X82	UA25N4L-X82	UA25N4C-X82
30psi/bar	UA20A4L-X82	UA20A4C-X82	UA25A4L-X82	UA25A4C-X82
60psi/bar	UA20B4L-X82	UA20B4C-X82	UA25B4L-X82	UA25B4C-X82
100psi/bar	UA20C4L-X82	UA20C4C-X82	UA25C4L-X82	UA25C4C-X82
160psi/bar	UA20D4L-X82	UA20D4C-X82	UA25D4L-X82	UA25D4C-X82
200psi/bar	UA20E4L-X82	UA20E4C-X82	UA25E4L-X82	UA25E4C-X82
300psi/bar	UA20F4L-X82	UA20F4C-X82	UA25F4L-X82	UA25F4C-X82
Vacuum	UA20H4L-X82	UA20H4C-X82	UA25H4L-X82	UA25H4C-X82

DIMENSIONS FOR UA20-X82, UA25-X82

Gauge Size/Type	A	B	C	D	E	F	G	H	
UA20	Inch	2.08	1.13	1.80	0.37	0.39	2.01	1.85	.25
	mm	53	28	46	9	10	5	47	—
UA25	Inch	2.48	1.13	1.95	0.42	0.39	2.43	1.87	.25
	mm	63	29	50	11	10	62	47	—



ORDERING CODE FOR EA14-X82

Lead Free Gauges (X82) for Potable Water Application

Range	4 1/2" Contractor Stainless Steel Case	
	1/4 NPT Bottom Connect	
30psi	EA14A-X82	
60psi	EA14B-X82	
100psi	EA14C-X82	
160psi	EA14D-X82	
200psi	EA14E-X82	
300psi	EA14F-X82	

DIMENSIONS FOR EA14-X82

Gauge Size/Type	A	B	C	D	E	
EA14	Inch	.25	.4375	1.0625	4.9375	1.1875
	mm	—	11	27	126	30

